

TS6282 - Ricevitore Digitale Terrestre - ZAPPER

Manuale d'utilizzo

User manual



Index

1	Safety regulations	2
2	Product description and connections	3
2.1	Front panel	3
2.2	Back panel and connections	3
2.3	Remote control	4
2.3.1	Batteries.....	4
2.3.2	Remote control buttons and functions.....	4
3	First time installation	5
4	Menu and sub-menus	5
4.1	Setup	5
4.1.1	Installation.....	5
4.1.2	TV setup	6
4.1.3	Password	7
4.1.4	Timer setup.....	7
4.1.5	SW updating	7
4.1.6	Factory reset.....	8
5	TV	8
5.1.1	TV list.....	8
5.1.2	TV guide	8
6	Radio	8
6.1.1	Radio list.....	8
6.1.2	Radio guide.....	8
7	Multimedia	8
7.1	Album	9
7.2	Music	9
7.3	Film.....	9
7.4	Recording	9
7.4.1	Recordings list	9
7.4.2	Recording device	9
7.4.3	Recording preferences	9
7.5	TV program recording	10
7.6	Timeshift.....	10
7.7	File recognition	10
8	Menu organisation.....	11
9	Troubleshooting guide.....	12
10	Technical specifications	13

Dear Customer,

Thank you for choosing our product. In this manual you will find all the necessary information regarding the use of this appliance.

Besides explaining the different functionalities, this manual contains safety regulations for the correct use of this product.

Please read the manual carefully and preserve it for future reference.

The TELE System Electronic staff

CAUTION!

TELE System Electronic Srl states that modifications made to software and/or hardware in order to improve the product could result in incongruities between this manual and the product in your possession.

1 Safety regulations

We advise you to read the following information concerning the safety regulations carefully in order to ensure safe use of the appliance.

ELECTRICAL SUPPLY

- The receiver must be supplied by a 230 Volt AC, 50Hz current.
- Do not remove the cover. The inside of the appliance could contain high voltages which could endanger the user. High voltage is also present when the appliance is on standby. The receiver should be disconnected from the power supply before performing an intervention. Non-authorized removal of the cover will mean that the warranty is no longer valid!

POWER CABLE

- Before installing the appliance, make sure the cable is intact, paying particular attention to its connection to the power supply and to the receiver. If the cable is damaged do not attempt to connect the appliance and refer the problem to an authorised centre for assistance.
- When installing the cable make sure that it can not be flattened in any way by items placed above or next to the appliance. Avoid placing the cable in an area where it could accidentally be stepped on, removed from the wall or damaged in any way.
- If the cable is damaged in any way carefully disconnect the receiver from the power supply and refer to specialised technicians or to the centre for assistance for repair.

LIQUIDS

- Keep the appliance far from any liquids. Do not place objects containing liquids on the appliance, such as vases, humidifiers, etc. The appliance must not be installed in areas where it could come in contact with sprays or drops of water or in an environment with a high level of humidity where condensation could occur.
- If the receiver should accidentally come in contact with liquids, immediately disconnect it from the power socket. **DO NOT TOUCH** the appliance until it has been disconnected.

SMALL OBJECTS

- Keep the receiver away from coins or other small objects. Objects which fall into the appliance via the ventilation gaps could cause serious damage.

CLEANING

- Before cleaning, disconnect the receiver from the power supply.
- To clean the outside of the receiver use a soft and dry or slightly damp cloth. Avoid using products which contain chemicals or solvents.

VENTILATION

- Make sure that the area where the appliance is to be installed has good air circulation so that the heat can be dissipated well in order to avoid overheating.
- In order to allow enough ventilation it is necessary to have a distance of at least 10 cm on either side of the appliance and 15 cm above the appliance.
- The vents must be kept clear of any obstructions such as newspapers, tablecloths, furniture materials, etc.
- Avoid installing the receiver close to any heat sources (i.e. radiators, stoves, etc.) or on top of any other appliances which omit heat (video recorders or DVD players, etc).

WARNING!

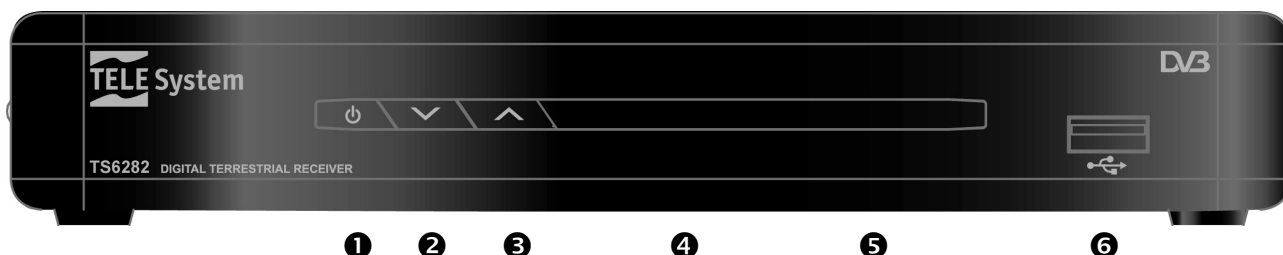
- Keep the appliance out of the reach of children.
- The plastic bags used for packaging can be dangerous. To avoid suffocating keep the bags out of the reach of children.
- Do not expose the receiver or remote control to direct sunlight.
- The appliance must be placed on a solid and stable base.
- Connect the receiver to the power supply only after installation is complete.
- Dispose of the product correctly so as to avoid damage to the environment and human health as well as to facilitate recycling of the components/materials in the appliance. If the product is not disposed of properly this could be punishable according to the existing law.
- The manufacturer recommends that the parts be recycled separately and be taken to sites which conform to current regulations.



- When no longer usable, take the product (including accessories and batteries), which must be kept separate from regular household waste, to a collection point authorised to handle waste from electrical or electronic appliances. Otherwise, it is possible to return the used or unusable appliance to your distributor when you decide to purchase a new one.

2 Product description and connections

2.1 Front panel



1. ⏻ ON / Standby (ST.BY) button.
2. ▼ Previous channel.
3. ▲ Next channel.
4. **IR** Infrared sensor for remote control.
5. **LED** Status indicator: If off, the decoder is on. If Red, the decoder is on standby.
6. **USB** USB port for reading **photos**: *.jpg / *.gif / *.bmp, **audio**: *.mp3, **video**: mpg / mpeg2 / mpeg4 and to record in SD/MPG format from the digital terrestrial tuner.

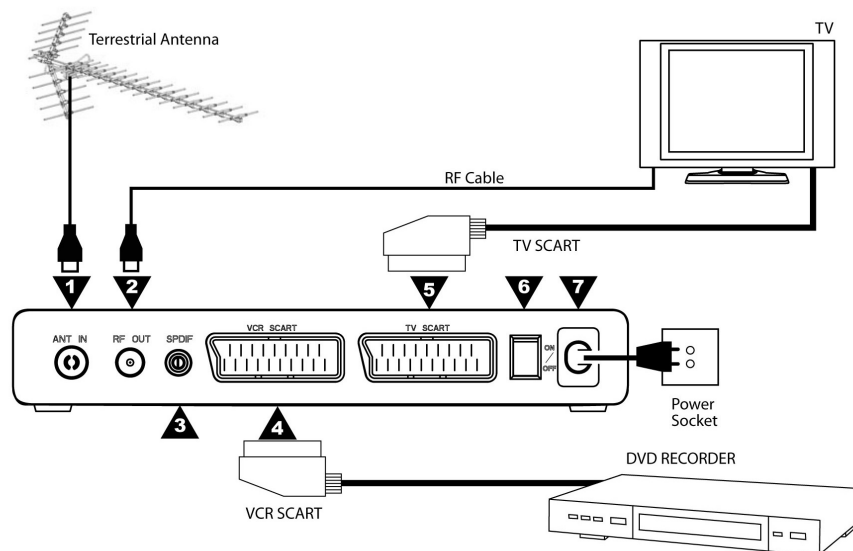
CAUTION!

- Compatible with USB memory devices formatted with FAT16/FAT32 file systems.
- Full compatibility with all USB memory devices on the market is not guaranteed.
- Some USB hard-disks could require auxiliary power. It is advised that disks with external power cables be used.

2.2 Back panel and connections

CAUTION!

- It is good practise to connect the appliance to other devices (e.g. TV, VCR, HI-FI, etc.) and the antenna before plugging in into the main power supply. When the receiver is powered electrical voltage differences may be created when plugging in the jacks, which may generate currents that could damage the devices.
- The direct TV Scart connection should always be used as a first operating test since other more complex connection sequences could lead to malfunctions that are not caused by faults and/or defects of the actual devices but by problems of incompatibility.



1. **RF IN** Antenna signal input.
2. **RF LOOP THROUGH** Loop through antenna signal to TV.
3. **SPIDF** Coaxial digital audio output for home-theatre amplifiers.
4. **VCR** Scart connection for video recording.
5. **TV** Scart output connection for TV.
6. **ON/OFF** on/off switch
7. **CABLE** Integrated power cable for connection to a 230 Volt AC, 50Hz power socket.

2.3 Remote control

Get well-acquainted with your remote control and you will find it much easier to navigate through the various menu options.

2.3.1 Batteries

Information and warnings

Substitute or insert the batteries the first time you use the product or when the remote control doesn't properly respond to pressure on the buttons. Compatible batteries: 2 x AAA, 1.5V.

To avoid having corrosive liquid damage the remote control, remove the batteries when the appliance is not used for long periods of time.

Avoid using different kinds of batteries or old and new batteries at the same time.

Insertion and removal

Open the battery cover on the back of the remote control and insert 2 AAA batteries making sure their polarity matches that indicated inside the compartment. Close the cover.

Remove used batteries and insert new batteries. The used batteries should be disposed of separately and taken to sites which conform to current regulations.

2.3.2 Remote control buttons and functions

1. **⏻ STANDBY** Turns the receiver on (ON) / or puts it on Standby (ST.BY).
2. **REW ◀◀ / FWD ▶▶** Fast back/forward during Timeshift.
3. **▶ PLAY / || PAUSE**
 - a. In viewing mode: Freeze image or Timeshift
4. **FAV** Favourites list
5. **FILE** Direct access to multimedia menu.
6. **■ STOP** Stops Timeshift.
7. **VCR** Swap between the TV SCART connection. Go from viewing the decoder's channels to those of the device connected to the decoder's SCART and viceversa.
8. **Colour buttons** Context function buttons.
9. **AUDIO** Select tracks and audio mode.
10. **SUB** Activates DVB subtitles or indexed Teletext.
11. **TEXT** Teletext.
12. **TIMESHIFT** Direct access to the start of timeshift reproduction.
13. **EXIT** Quits current menu or operation.
14. **BACK** Returns to the previous channel or menu.
15. **▲ / ▼ ARROWS** Navigate between menu items and options.
16. **◀ / ▶ ARROWS** Modify menu parameters/options.
17. **OK** Has several functions:
 - a. In viewing mode: Direct access to channel list.
 - b. In menu mode: Confirm selection/modification.
18. **PREV |◀◀ / NEXT ▶▶|** Move to previous/next track when reproducing personal multimedia files.
19. **INFO** View information
 - a. In viewing mode: View information on current channel (i.e. channel number and name).
 - b. In USB mode: View information on the reproduction or recording underway.
20. **MENU** Main receiver menu.
21. **VOL+ / VOL-** Volume up/down.
22. **CH+ / CH-** Next/previous channel.
23. **●** Activates instant recording.
24. **EPG** Electronic Program Guide.
25. **0-9 number buttons** Select channels or modify some menu fields.
26. **TV/RADIO** Select TV or Radio programs.
27. **🔇 MUTE** Audio mute button.



3 First time installation

After connecting the receiver (section 0) and inserting the power cable in the main power socket, the receiver will automatically turn on. If this doesn't happen, turn on the receiver using the ON/ST.BY button on the front panel or on the remote control.

The **Installation** menu will appear on the screen where you will have to confirm or modify some parameters.

4 Menu and sub-menus

4.1 Setup

4.1.1 Installation

- **Country setup**

Press the ◀/▶ arrows to select your Country from the list. Press the ▼ arrow to go to the next parameter.

CAUTION!

Wrong Country setting can cause you to receive few or no channels at all.

- **OSD language**

Using the ◀/▶ arrows, select the language desired from the On Screen Display (OSD). Press the ▼ arrow for the next setup.

- **Audio language**

Using the ◀/▶ arrows, select the audio language desired from those available (in case the TV program is transmitted in several languages the receiver will automatically choose the language selected, if available). Press the ▼ arrow for the next setup.

- **Subtitles language**

Using the ◀/▶ arrows, select the subtitles language desired from those available (in case the TV program is transmitted with subtitles the receiver will automatically choose the language selected, if available). Press the ▼ arrow for the next setup.

- **LCN**

After scanning the channels, Logical Channel Numbering (LCN) automatically orders the list of TV and Radio channels according to the position requested by television stations. We advise you keep this function active. However, you can modify it using the ◀/▶ arrows. Press the ▼ arrow for the next step.

NOTE

- If the **LCN Mode** is active, we suggest you not use the move channel function available from the **TV – TV/Radio List** menu.

- **Sleep timer**

This receiver comes with an energy saving function: after three hours of user inactivity, the receiver will automatically go into standby mode. Two minutes before this happens, a message will appear on the screen so that the user can stop the appliance from going into standby.

Using the ◀/▶ arrows, chose **ON** to keep the option active, or **OFF** to deactivate it.

Press the ▼ arrow for the next step.

CAUTION

If the on-off timer or a recording from the menu **System Setup – Program Timer** is set to more than three hours, it is suggested you deactivate Sleep timer

- **Use of GMT**

Select using the ◀/▶ arrows:

- **“ON”**: date and time related to the Country chosen are set automatically.
- **“OFF”**: user manually sets the date and time.

Press the ▼ arrow for the next step.

- **Time zone**

Using the ◀/▶ arrows, select the time zone of the country where the decoder is installed.

Press the ▼ arrow for the next step.

- **Date setup**
 - Using the numbers buttons and the ◀/▶ arrows, set the current date (the date cannot be modified if “Use of GMT” is set to ON). Press the ▼ arrow for the next step.
- **Hour setup**

Using the numbers buttons and the ◀/▶ arrows, set the current hour (the hour cannot be modified if “Use of GMT” is set to ON). Press the ▼ arrow for the next step.
- **Auto search in Standby**

Using the ◀/▶ arrows, select the frequency with which you want the channels to be updated in standby mode (available options are: **Daily**, **Weekly**, **Monthly** and **OFF**). Press the ▼ arrow for the next step.
- **Auto search time in Standby**

Using the numbers buttons and the ◀/▶ arrows, set the time for an automatic channels search in Standby mode. Press the ▼ arrow for the next step.
- **Hotel function**

Using the ◀/▶ arrows, set to **ON** to activate the function.

CAUTION!

Once the Hotel function has been activated, you will no longer have access to the main menu. To access the main menu again you need to deactivate the Hotel function by pressing the following buttons in order **16888+OK**.

- **Auto scan**

Press the red “**Auto search**” button to start an automatic channel search (you will be requested to insert your password). At the end of the scan, if no LCN channel position conflicts are detected, the receiver will automatically go into viewing mode.
- **LCN conflict solutions**

If the LCN function is on (see above) and more one TV or radio station has requested the same position on the channels list, the receiver will detect the conflict and a list of the stations involved will appear on the screen. With the ▼ / ▲ arrows select a channel and confirm with the **OK** button. Press **Exit** to memorise your choice and close the display window.
If the user doesn't intervene, the receiver will automatically resolve the conflicts after about one minute and the user can proceed with viewing the channels.
- **Manual scan**

Press the green “**Man Search**” button to manually search for channels (you will be requested to insert your password). Using the ◀/▶ arrows, select the frequency on which you want to search for channels and press **OK**.

4.1.2 TV setup

- **TV format**

Define the **Video Format Rate** value (*16:9 Full Screen/Pillar Box* or *4:3 Letter Box/Pan Scan*) best fitted to the characteristics of the TV screen connected to the receiver.
- **TV mode**

Choose the standard (PAL or NTSC) in which to receive TV signals.
- **OSD transparency**

Modify the transparency of the OSD menu when recalled.
- **Banner duration**

Modify the viewing time of the channel banner.
- **Video output**

Define the value of the video output (RGB or CVBS) best fitted to the characteristics of the TV screen connected to the receiver.
- **Improve video**

Adapt the image on screen, by regulating two parameters (**Skin tone** and **Black/white extension**), according to the characteristics of the transmission, the TV room, and personal taste.

4.1.3 Password

To modify some important menu parameters or view programs protected by Parental Lock, the receiver requires a PIN (a four number password). The factory set password is “0000” (four times zero), but it can be personalised through the **Change password** option.

- **Menu lock**

If set to **ON** access to the main menu is protected by password.

- **Channel block**

If set to **ON**, you can manually and individually block channels, using the **Block** option on the “**TV list**” or “**Radio list**” menu.

- **Parental Lock**

The Parental Lock function allows for the viewing of sensitive material to be controlled. If a channel transmits a program with view control aimed at a public of the same age or older than the age level selected from the menu, the receiver will block the channel and a message will appear on the screen. To see the program, the PIN must be entered. (see section 4.1.3).

The default age level is 18 years old. To modify the age level, use the ◀/▶ arrows.

- **Change password**

Personalise password (PIN).

CAUTION!

Write down and save your new PIN in a secure place. If you forget it, use the universal code “8888” to access the **Password** menu and set a new password.

4.1.4 Timer setup

To set the decoder’s on-off timer: press the red button, insert the data requested and press **OK**. Select the **Record** option on the “**Timer Mode**” to start recording a program.

CAUTION!

If the **Record** option is activated make sure you have inserted a memory device in the USB slot.

4.1.5 SW updating

In order to improve or add new functions to the receiver, it may be necessary update the software. Keeping the receiver updated is advised.

- **Via USB**

If an USB update is available from the manufacturer’s website, download it onto a USB pendrive. After connecting the pendrive to the receiver’s USB port, launch the upgrade from the “**SW Update – Updating via USB**” menu.

CAUTION!

During the process, do not interact with the receiver or unplug the power cable: the receiver may be irreversibly blocked!

- **Via OTA (Over the Air)**

The receiver can detect the software updating data from the digital terrestrial signal coming from the antenna when the data is transmitted by a television station.

CAUTION!

Downloading and installing new software can require a lot of time especially with bad reception. During the process, do not interact with the receiver or unplug the power cable: the receiver may be irreversibly blocked!

- **Manually**

Access the “**SW Update – Update via OTA**” menu and press **OK** to start the manual search function to update new software.

- **Automatically**

Access the “**SW Update – Update via OTA**” menu to personalise the automatic search for software updates. Two options will appear from the “**OTA in Operative Mode**” parameter:

- **OFF**: when the new software control in operative mode is deactivated, a search in “**Standby Mode**” (if activated) will start up 45 min. after going into standby.

- **ON:** by activating “**OTA in Operative mode**”, the receiver will control the time indicated in the **Time** field on a daily basis and with the frequency indicated in the “**OTA Frequency**” field. In this case, a control in “**Standby Mode**” (if active) will start only at the time displayed in the menu.

4.1.6 Factory reset

If necessary, reset the receiver to its factory settings through a software reset. Go to the **Tools – Factory Reset** menu and press the **OK** button. You will be asked to confirm.

CAUTION!

Factory Reset means you will lose all the channels that were memorised and all personalised settings, but not the last version of the software installed.

5 TV

5.1.1 TV list

Access to the channels list allows you to modify and organise the list itself and each channel. It is possible to create favourites lists, to move and/or jump channels to create a personalised list or to block/rename/eliminate one or more channels. A PIN number is required to access this function.

5.1.2 TV guide

It is possible to view the TV programming of each channel, reserve the viewing of a program and/or record it from the Electronic Program Guide (EPG).

NOTE

- The information present in the EPG depends on the information sent by television stations.

6 Radio

6.1.1 Radio list

Access to the Radio channels list allows you to modify and organise the list itself and each channel. It is possible to create favourites lists, to move the Radio channels to create a personalised list or to block/rename/eliminate one or more Radio channels. A PIN number is required to access this function.

6.1.2 Radio guide

It is possible to view the TV programming of each Radio channel, reserve the viewing of a program and/or record it from the Electronic Program Guide (EPG).

NOTE

- The information present in the EPG depends on the information sent by television stations.

7 Multimedia

The USB port on the front of this receiver allows for multimedia files to be read and for unencrypted digital terrestrial programs to be recorded.

CAUTION!

- The receiver is compatible with USB memory devices formatted with FAT16/FAT32 file systems.
- When connecting a hard disk, free memory space of at least 300 GB is required.
- To work properly, some hard disks that are auto-powered via USB could require an external power supply.
- Full compatibility with all USB memory devices on the market is not guaranteed.
- Formatting the memory device from the “Recording Device” menu is strongly advised.
- The use of a device with at least 4 GB of free (unused) memory is advised.

USB memory connection

After the USB is connected, and after each decoder start-up, a control of the device is undertaken that could last a few seconds depending on the amount of memory in the device.

After the first recording, a folder called **MYRECORD** is created, that acts as the receiver’s working folder for recordings.

CAUTION!

Never disconnect the USB memory device during multimedia reproduction, while recording, formatting or in the presence of an recording even timer: the devices involved may be irreversibly damaged!

7.1 Album

Select an option and press the **OK** button to view the images saved on the memory device.

7.2 Music

Select an option and press the **OK** button to listen to the music files saved on the memory device.

7.3 Film

Select an option and press the **OK** button to view the video files saved on the memory device.

7.4 Recording

Allows access to personal recordings (and therefore their viewing and/or cancellation) and the organisation of the memory device connected to the decoder.

7.4.1 Recordings list

Using the **▼/▲** arrows, select the recording you wish to reproduce and press **OK** to see a preview. Press **OK** again and the recording appears full screen.

Press the **Red** button to eliminate the file (you will be asked to confirm).

Press the **Info** button to enter the menu and organise the memory device.

7.4.2 Recording device

Allows the memory device to be organised and totally or partially formatted according to its partition capacity.

- Format disk (green button): use this function to completely format the device connected to the receiver.
- Format (red button): use this function if there are two or more partitions present in the device and if you wish to format only the partition previously selected in the "**Partition**" field.

CAUTION!

- If the message "PVR initialisation incomplete" appears, it is necessary to (totally or partially) format the device that is connected to the USB port.
- Formatting the memory device from the "Recording Device" menu is strongly advised.

7.4.3 Recording preferences

• Dim Timeshift

View the size of the memory dedicated to Timeshift registration.

CAUTION!

- The memory size is automatically set based on the total size of the disk.
- The use of a device with at least 4 GB of free (unused) memory is advised.

• Timeshift

Set to **OFF** to deactivate the function, **Pause** to start it manually or **Automatic** for the automatic mode function.

• Instant recording

If set to **OFF**, after pressing the "●" button the decoder will ask for confirmation of the maximum duration of the recording before starting it. It is possible to vary the duration with the **◀/▶** arrows.

If set to **ON**, after pressing the "●" button the decoder will start recording and the maximum duration will be equal to that set in the **Multimedia/Recordings/Recording Preferences/Recording Time** menu.

• Recording Time

Set the maximum duration of time for the recording.

NOTE:

It is necessary to confirm the modifications by pressing the "OK" button before leaving the menu.

7.5 TV program recording

Before recording, check the state of the USB memory device and the space available from the menu **Multimedia/Recordings/Recording Device**.

Instant Recording

By default, after connecting the USB memory device, to start recording manually, switch to the program of interest, press the “●” button on the remote control and confirm the duration of the recording. (It is possible to modify the duration with the ◀/▶ arrows).

To end the recording early, press the STOP button and confirm.

To modify this functionality, see section “7.4.3 Recording preferences”.

Programmed Recording

The “**Setup – Timer Setup**” menu allows you to manually set several recordings timers. In the timer definition, besides setting the channel, the date, start and end times, make sure the **Recording** option is selected.

Otherwise, from the EPG menu press the Red button “**Set program**” after having selected the program.

NOTE

- Make sure you have enough memory space before proceeding to record.
- Remember to leave the USB memory device connected.

7.6 Timeshift

Timeshift temporarily records a program until you switch channels or press the **Stop** button. It is therefore possible to resume viewing a program being recorded by pressing the PLAY/PAUSE button. To activate/deactivate this function, go to the “**Recordings – Recording preferences - Timeshift**” menu.

Three modes are available:

- **OFF**: function disabled
- **Pause**: Timeshift function is manually controlled using the **Play/Pause** button during program viewing.
- **Automatic**: the function automatically activates when you switch channels.

7.7 File recognition

The multimedia files that can be read by this device are:

Photo: .JPG - GIF - BMP

Music: .MP3

Video: .MPG – MPEG2 – MPEG4

Playing recorded files

To view a recording made with the receiver, among the files located in the correct working folder, press the **FILE** button on the remote control and access the “**Multimedia – Recordings**” menu. Chose the file from the list available and press **OK** to see a preview. Press **OK** again and the registration appears full screen.

Reading personal files

To access a video, music or photos located in a personal folder on the USB memory device connected to the receiver, press the **FILE** button on the remote control and access the “**Multimedia**” menu. Select the type of file to reproduce from the options available **Album – Music – Film**. Navigate between the files using the ▼/▲ buttons and press **OK** to view/listen.

8 Menu organisation

The receiver menu is organised as follows:

Setup ▼	TV ▼	Radio ▼	Multimedia ▼
<ul style="list-style-type: none"> - Installation - TV setup - Password - Timer setup - SW updating - Factory preset 	<ul style="list-style-type: none"> - TV list - TV guide 	<ul style="list-style-type: none"> - Radio list - Radio guide 	<ul style="list-style-type: none"> - Album - Music - Film - Recordings

NOTE

Navigating the menus is simple and intuitive. Use the MENU, BACK, EXIT, arrow, OK and numerical buttons on the remote control. Follow the indications on each menu display window.

9 Troubleshooting guide

PROBLEM	PROBABLE CAUSE	SOLUTION
1. The receiver doesn't turn on (the LEDs on the front panel don't light up)	-The receiver is not plugged into the power socket. -The receiver is plugged in but the box still doesn't work. - The receiver is turned onto a channel that doesn't transmit a video signal.	-Make sure the power cable is properly plugged into the power socket. -After unplugging the receiver, check that the power supply cable isn't damaged (Warning! : Danger of electrical shock!).
2. No image or sound	- Antenna signal weak or absent.. -The SCART cable or antenna cable is disconnected or damaged. -Low or no volume. -The TV is not switched on to the appropriate audio/video channel.	-Make sure the SCART is properly connected, check the antenna installation and the quality of the signal received. -Make sure the volume on the TV or the receiver is not at zero. -Make sure the TV is switched to the AV channel (consult TV manual). -Perform Factory reset.
3. Channels don't load	-Lack of antenna signal. -The antenna system is not compatible with the digital terrestrial system.	-Check that there is an antenna signal coming through the receiver. -Consult a trusted technician. -Perform a manual channels search. -Perform Factory reset.
4. The settings aren't memorised.	-Did not confirm after modifying the settings.	-Before exiting a menu, press the corresponding confirm button.
5. The remote control doesn't work.	-The receiver is on standby. -The remote control is not pointed at the infrared sensors on the receiver. -Flat batteries. -Batteries are charged but inserted in the wrong way. -The remote control was dropped and the internal components are damaged.	-Press the ON/ST.BY button on the front panel to check that the receiver is working. -Make sure there are no obstacles in front of the front panel. -Insert new batteries. -Make sure the batteries are inserted correctly. -Contact a distributor to purchase a new remote control.
6. Forgotten password.		-The factory set PIN is 0000 (four times zero).
7. The programmed timers don't work correctly.	-The receiver's time is not set correctly.	-Set the time.
8. The receiver doesn't respond to the remote control buttons.	- Receiver is temporarily blocked. -A television station is transmitting wrong data. - Problem with the remote control.	-Disconnect the receiver from the power supply for at least a minute then re-connect. -Re-start the receiver with the antenna disconnected, delete the problematic channel and re-connect the antenna.
9. The USB memory device isn't recognised or doesn't work correctly.	-Memory device not formatted correctly or not compatible. -Memory speed not sufficient for recording. -Type of file not supported. -The receiver's single USB port is not enough to feed the memory.	-Try a factory reset (section 4.1.6 Factory reset).
10. The receiver automatically shuts down.	- Sleep timer function active.	-Deactivate the energy saving function.
11. Timeshift doesn't work	- The function is set to OFF	-Activate the function from the menu "Recordings – Recording preferences - Timeshift"

INFORMATION

Generally, in case the receiver doesn't respond correctly, a Factory Reset (section **4.1.6 Factory reset**) can help solve the problem.

10 Technical specifications

Type of product	Digital terrestrial receiver (ETSI EN 300 744) for unencrypted channels with USB
Input frequency	147÷230 MHz (VHF) / 470÷862 MHz (UHF)
Channel bandwidth	6 / 7 / 8 MHz
Display	-
Language menu	6 : IT- RU -EN - DE - FR- SP
OSD menu	•
Teletext (ETSI EN 300 472)	•
Subtitles (ETSI EN 300 706)	•
Electronic Program Guide (EPG)	•
RF modulator	-
Integrated modem	-
Video Format Rate	4:3 Letter Box / 4:3 Pan Scan / 16:9 Full / 16:9 Pillar Box
Coaxial Digital Audio Output (SPDIF)	•
Optical Digital Audio Output (SPDIF)	-
TV SCART output	Out: Video RGB / CVBS, audio L+R
VCR SCART connection	Out/In: Video CVBS, audio L+R
RCA Audio Stereo Connectors	-
RCA Video Connector	-
RS232 Data Serial Port	-
USB Port	Frontal - USB 2.0 - 5V, 500mA MAX
Multimedia file reader via USB	photo: jpg / gif / bmp, audio: mp3 video: mpg / mpeg2 / mpeg4
Recording via USB	From internal TV tuner, in original .MPG format.
Software updating	Via USB Via OTA (Over the Air)
Factory reset function	•
Favourite Channels List	•
Event timer	On-Off / recording
Sleep timer (energy saving)	• (can be disabled)
Auto-updating of channels	• (can be disabled)
Active antenna power supply	-
Power supply	230V~ 50Hz
Power Consumption	ON mode: (Max)7,50 W (USB current absorption equal to 500 mA) Standby mode: (Max) 0.96 W
Dimensions	210 x 128 x 32 mm

Product code 21005183 Zapper Digital terrestrial receiver

TELE System TS6282

CE conformity declaration

Tele System Electronic states that this product meets the basic European requirements of 2004/108/CE (EMC - Electromagnetic Compatibility), 2006/95/CE (LVD - Low Voltage Directive) and 2009/125/CE (ERP-Ecodesign requirements for energy-related products), following the technical directives:

- Electromagnetic Compatibility:
 - EN 55013: 2001 + A1:2003 + A2:2006
 - EN 55020: 2007
 - EN 61000-3-2: 2006
 - EN 61000-3-3: 2008
- Low Voltage:
 - EN 60065: 2002 + A1:2006 + A11:2008



Bressanvido, December 2010
Flavio de Poli
General Management

ITALY

TELE System Electronic
Via S. Benedetto, 14 M
36050 Bressanvido (VI)
Internet: www.telesystem-world.com

Customer assistance tel.:
199 214 444 (Italy only)

